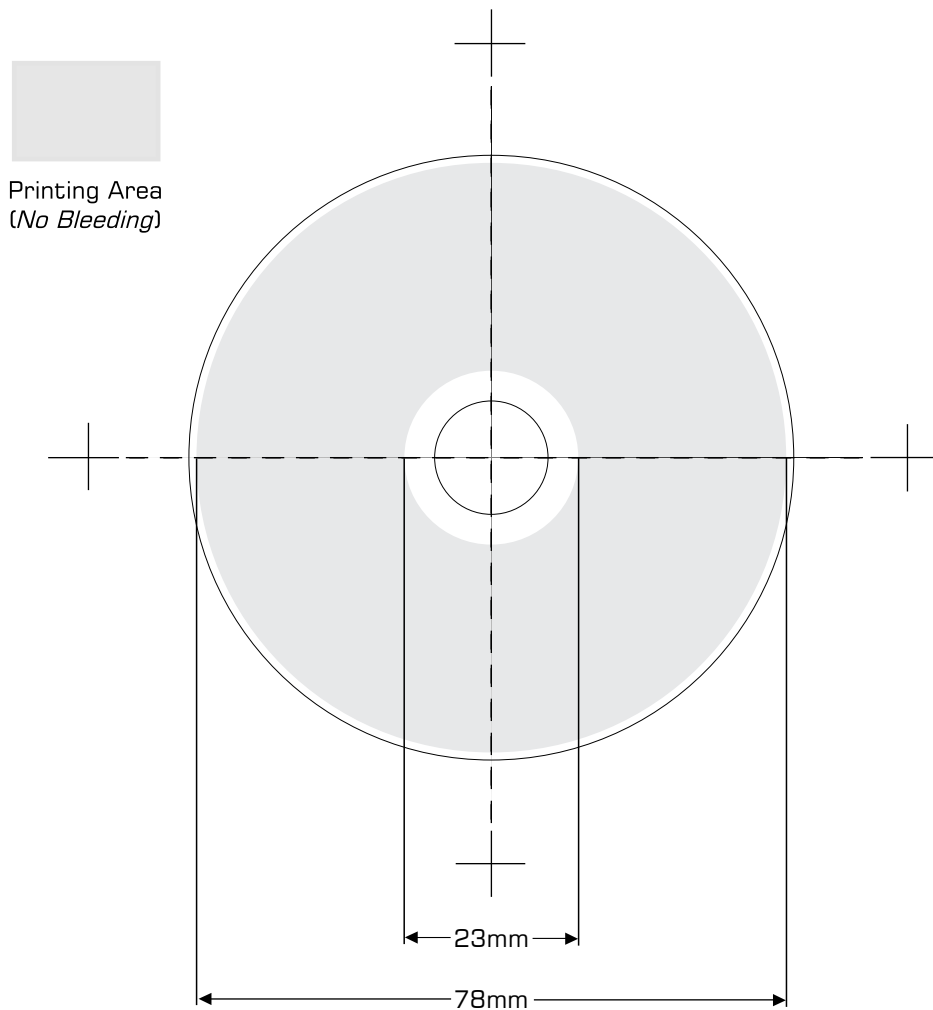


80mm Moulding CD Printing Template (23mm - 78mm)



Printing Area : Inner Diameter = 23 mm
Outer Diameter = 78 mm
Four Cross should be placed 10mm from the printed area at angle of 0, 90, 180 and 270 degree. Color Proof is required.

Silkscreen CD Label : Positive Films with Emulsion Up , 110 LPI, smallest font size = 6pts, with elliptical dot

Colour Separation : Angles for separation from a vertical 90 degree Axis -
Cyan = 15/75 degree Yellow = 90/0 degree
Magenta = 45 degree Black = 15/75 degree