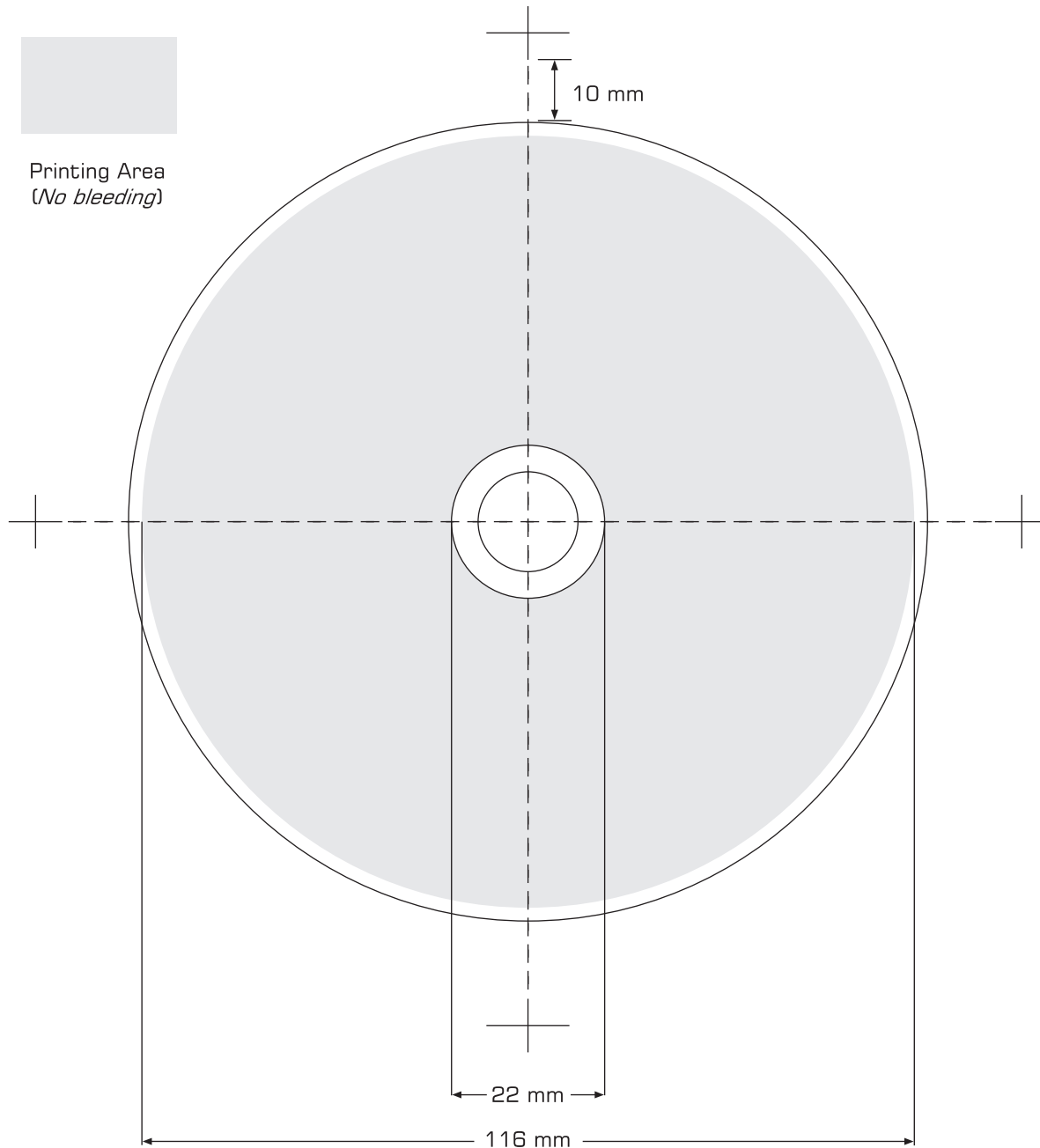


## Silkscreen / Offset Printing Template (DVD)



Printing Area : Inner Diameter = 22 mm  
 Outer Diameter = 116 mm  
 Four Cross should be placed 10mm from the printed area at angle of 0, 90, 180 and 270 degree. Color Proof is required.

i) Silkscreen DVD Label: Positive Films with Emulsion Up , 110 LPI, smallest font size = 6pts, with elliptical dot

ii) Offset DVD Label : Negative Films with Emulsion Down, 175 LPI

Colour Separation : Angles for separation from a vertical 90 degree Axis -  
 Cyan = 15/75 degree      Yellow = 90/0 degree  
 Magenta = 45 degree      Black = 15/75 degree